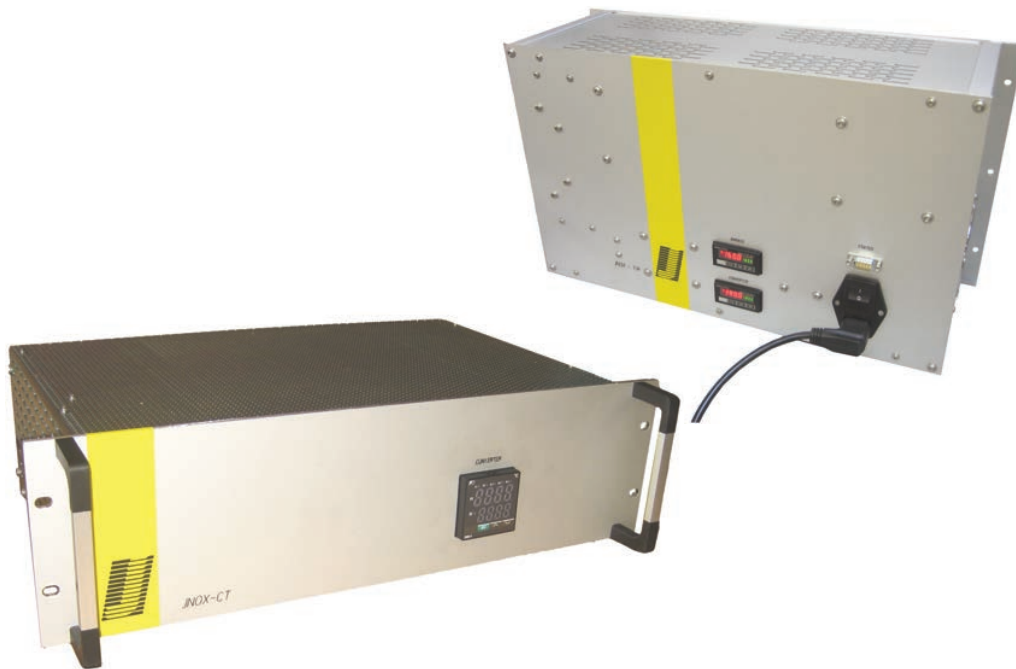


# Innovation in Gas Analysis

## JNOX NO<sub>2</sub> to NO Sample Gas Converter



### APPLICATION

- For extractive gas analysis
- For emission and process monitoring
- Conversion of NO<sub>2</sub> to NO for NO<sub>x</sub>-measurement
- Enables the use of infrared-analysers
- For dry sample gases with unheated inlet or for hot and humid sample gases with heated inlet

### BENEFITS

- Variable applicable due to different housing and equipment versions
- Long lifetime of the converter cartridge of approx. 10<sup>6</sup> ppmh NO<sub>2</sub>
- High conversion ratio
- Fast response time due to low dead volume
- No CO-Emission with molybdenum containing converter filling material
- High flow performance
- Low cross sensitivities

### FEATURES

- In 19"-, wall mounting or portable housing
- Efficiency of converter > 96 %
- Digital temperature indication and status LED's
- Status contact
- Conversion material carbon or metallic (molybdenum containing)
- Model with unheated or heated bypass connection upstream conversion for additional measurements or fast response times
- Model with local or remote controllable unheated or heated 2/3-way solenoid valve to bypass the converter cartridge for calibration or test gas feeding



# JCT

Analysentechnik  
GmbH

Gas Sampling Probes

Heated Sample Lines

Sample Gas Coolers

Condensate  
Treatment

Accessories

Gas Conditioning  
Systems

Sample Gas Converters

MADE IN AUSTRIA



[www.jct.at](http://www.jct.at)

## TECHNICAL DATA

Model	JNOX-CT	JNOX-CV	JNOX-T	JNOX-V
Description	NO <sub>2</sub> to NO sample gas converter for NO <sub>x</sub> measurements			
With heated sample gas inlet	no	no	yes	yes
With bypass in the sample gas inlet	yes	no	yes	no
With bypass of converter cartridge	no	yes	no	yes
<b>Operation</b>				
Operating temperature carbon cartridge**	400°C			
Operating temperature metallic cartridge (molybdenum containing)	380°C			
Gas flow carbon cartridge**	30...90 NI/hr (45...60NI/hr recommended)			
Gas flow metallic cartridge	max. 60 NI/hr			
NO <sub>2</sub> carbon cartridge	up to 1000 ppm application dependent			
Permitted NO <sub>2</sub> concentration metallic cartridge	application dependent			
Life time carbon cartridge*	up to 10 <sup>6</sup> ppmh NO <sub>2</sub> application dependent			
Life time metallic cartridge	application dependent			
Converter efficiency	> 96 %			
Ambient temperature	+5...+40 °C			
Operating pressure	max. 2 bara			
Ready for operation	< 30 min			
Temperature heated inlet	160°C			
<b>Construction</b>				
Mounting	19" rack			
Dimensions over all ( W x H x D )	483 x 133 x 300 mm		483 x 133 x 472	
Weight	ca. 9 kg		ca. 12 kg	
Housing	19", sheet steel, 1,5 mm, galvanised			
Front plate	aluminium, natural anodised			
Connection sample gas inlet	SS316 fitting, 6 mm			
Connection sample gas outlet	PVDF fitting, DN 4/6 mm			
Connection bypass outlet	PVDF fitting, DN 4/6		SS316 fitting, 6 mm	
Approvals / signs	CE			
<b>Electrics</b>				
Power supply	230 VAC 50/60 Hz or 115 VAC 50/60 Hz ±10 %			
Power consumption (depending on configuration)	260...425 VA			
Power connection	IEC device socket / CEE 7/7 to IEC plug, 2 m cable			
Fusing (in IEC device socket)	lead fuse T5A			
Protection class	IP 20 (EN 60529)			
On-time	100 %			
Temperature alarm limits	+20K (converter) / +10K (heated inlet)			
Alarm delay	0,5 s			
Status relay	volt free changeover contact			
Switching capacity relay	max. 48 VAC / 0,5 A; min. 5 VADC 5 mA			
Connection status relay / external	DB9-plug			
Status contact bypass valve	make contact volt free 24 VDC / 2 A			
Status contact local / external	make contact volt free 24 VDC / 2 A			

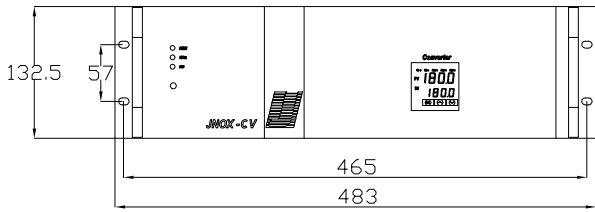
\* ... in case of perfect sample gas conditioning

\*\* a downstream filter is recommended

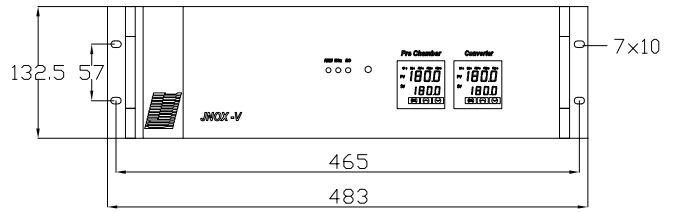
The above listed converter models are also available as portable version in aluminium housing or in wall mounting housing (see also table order codes on page 4)

## DIMENSIONS

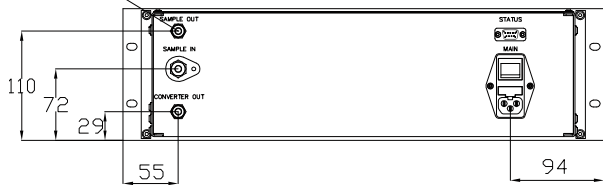
### JNOX-CT / CV



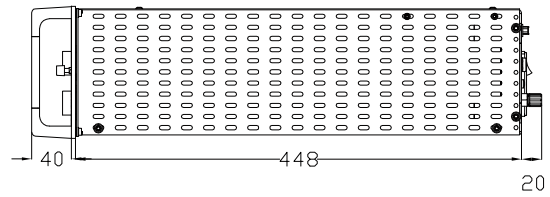
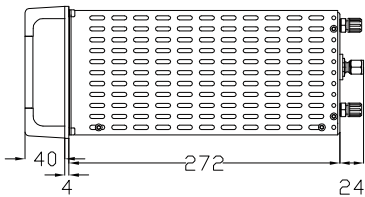
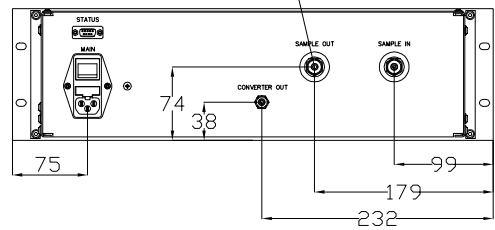
### JNOX-T / V



### JNOX-CT

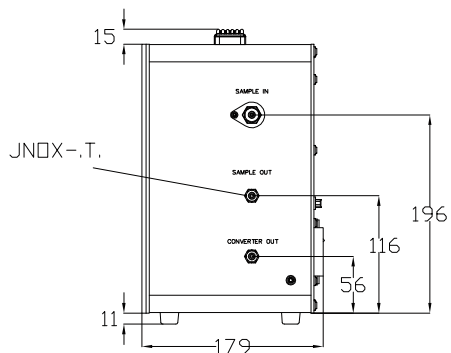
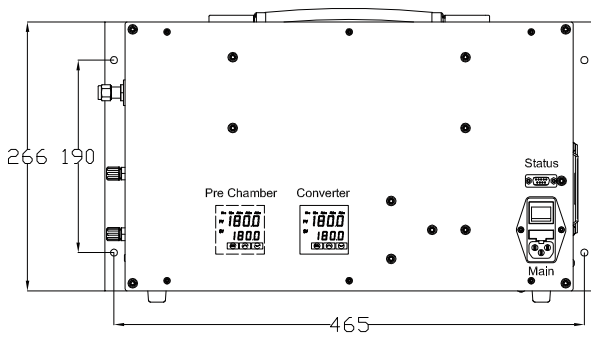


### JNOX-T



Dimensions in mm

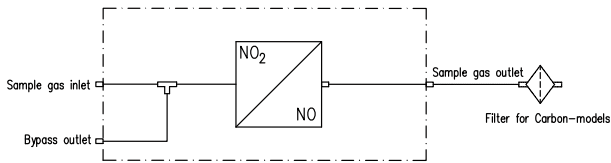
### JNOX-CTW / CVW / TW / VW / CTP / CVP / TP / VP in portable (P) or wall mounting housing (W)



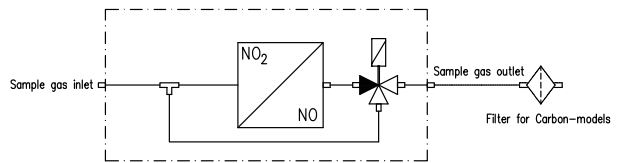
Dimensions in mm

## GAS FLOW DIAGRAMS

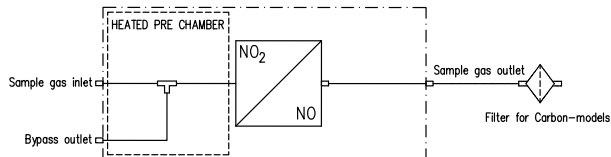
### JNOX-CT



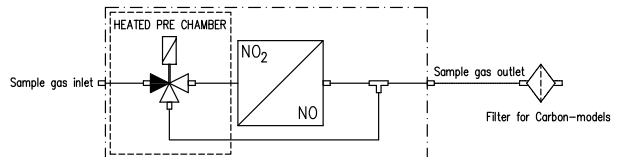
### JNOX-CV



### JNOX-T



### JNOX-V



## ORDER CODES

### JNOX-

Model	-CT/C	-CT/M	-CV/C	-CV/M	-T/C	-T/M	-V/C	-V/M	-CTW/C	-CTW/M	-CWW/C	-CWW/M	-TWC	-TW/M	-VWC	-VW/M	-CTP/C	-CTP/M	-CVP/C	-CVP/M	-TP/C	-TP/M	-VP/C	-VP/M
Unheated sample gas inlet	x	x	x	x					x	x	x	x					x	x	x	x				
Heated sample gas inlet					x	x	x	x					x	x	x	x					x	x	x	x
Bypass (T)	x	x			x	x			x	x			x	x			x	x			x	x		
Solenoid valve (V)			x	x			x	x			x	x			x	x			x	x			x	x
Converter material carbon (/C)	x		x		x		x		x		x		x		x		x		x		x		x	
Converter material metallic (/M)		x		x		x		x		x		x		x		x		x		x		x		x
19" housing	x	x	x	x	x	x	x	x																
Wall mounting housing (W)									x	x	x	x	x	x	x	x								
Portable housing (P)																	x	x	x	x	x	x	x	x
Order code	17.20x40	17.20x42	17.20x50	17.20x52	17.30x00	17.30x01	17.30x10	17.30x11	17.21x40	17.21x42	17.21x50	17.21x52	17.31x00	17.31x01	17.31x10	17.31x11	17.22x40	17.22x42	17.22x50	17.22x52	17.32x00	17.32x01	17.32x10	17.32x11
x = 0 : 230 VAC																								
x = 1 : 115 VAC																								

## JCT Analysetechnik GmbH

Werner Heisenberg-Straße 4 A-2700 Wiener Neustadt  
 Tel. +43 (0) 2622 / 87201 Fax +43 (0) 2622 / 872011  
 E-Mail: [sales@jct.at](mailto:sales@jct.at) Web: [www.jct.at](http://www.jct.at)

